



Winding Transformer – ATWPEP Series

Customized



Operating Temp. : -40°C~+150°C(Including self-heating)

PRODUCT IDENTIFICATION

A ①	T ②	W ③	P ④	EP ⑤	XX ⑥	XX ⑦	XX ⑧	B ⑨	XX ⑩	XX ⑪	T ⑫
①	②	③	④	⑤	⑥	⑦	⑧	⑨	⑩	⑪	⑫
Product Type A Automotive	Type T Transformer	Structure W Wire									
Core Length (Typ.) XX XX mm	Core Type EE/EP/ES etc.	Feature Code P for Power									
Bobbin Length (Typ.) XX XX mm	Product Height (Typ.) XX XX mm	Style B Horizontal & SMD D Vertical & SMD									
Packing T Taping P Pallet B Bulk	Design Code 00~99, A0~Y9	Number of Coil 1 ~ 9									

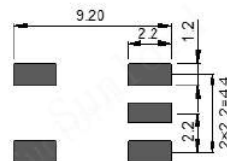
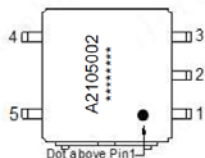
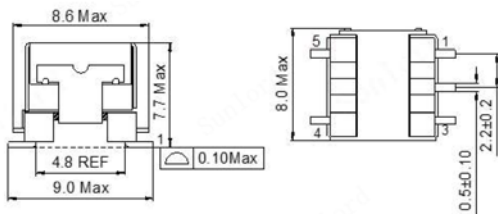
FEATURES

- High reliability and sensitivity
- High current, low loss
- AEC-Q200 verified

ATWPEP060708B Series

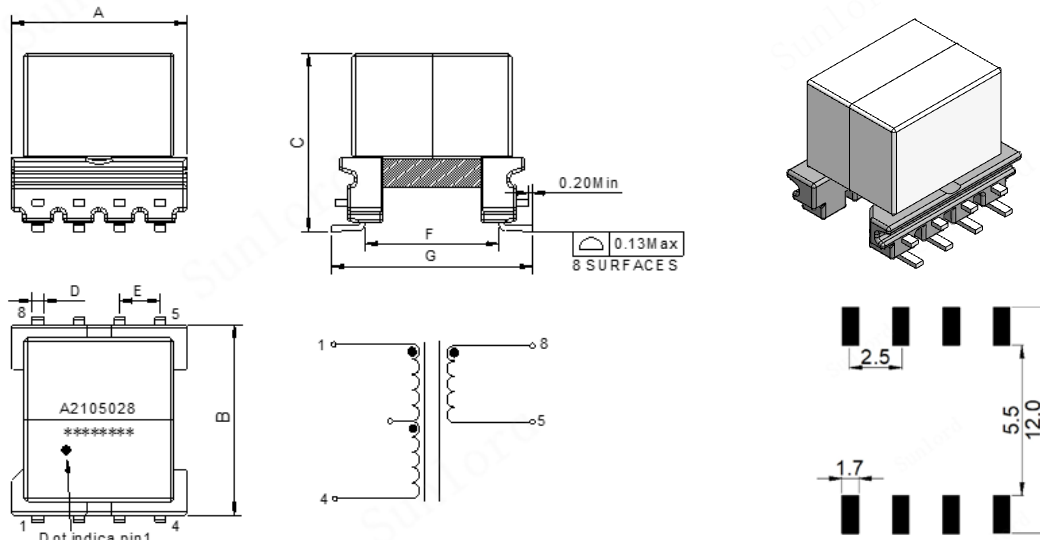
APPLICATIONS

- Ultrasonic parking system



Recommended PCB pattern

ATWPEP090910B Series



Recommended PCB pattern

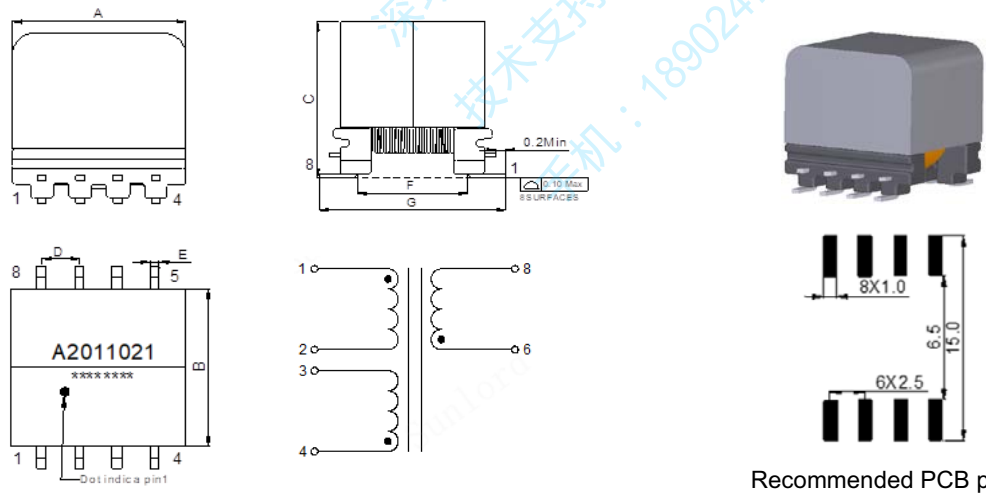
Unit: mm

A	B	C	D	E	F	G
11.0Max.	9.7 Max.	10.5 Max.	0.6±0.1	2.5±0.2	6.4Ref.	11.4Max.

ATWPEP121212B Series

APPLICATIONS

- Motor Control



Recommended PCB pattern

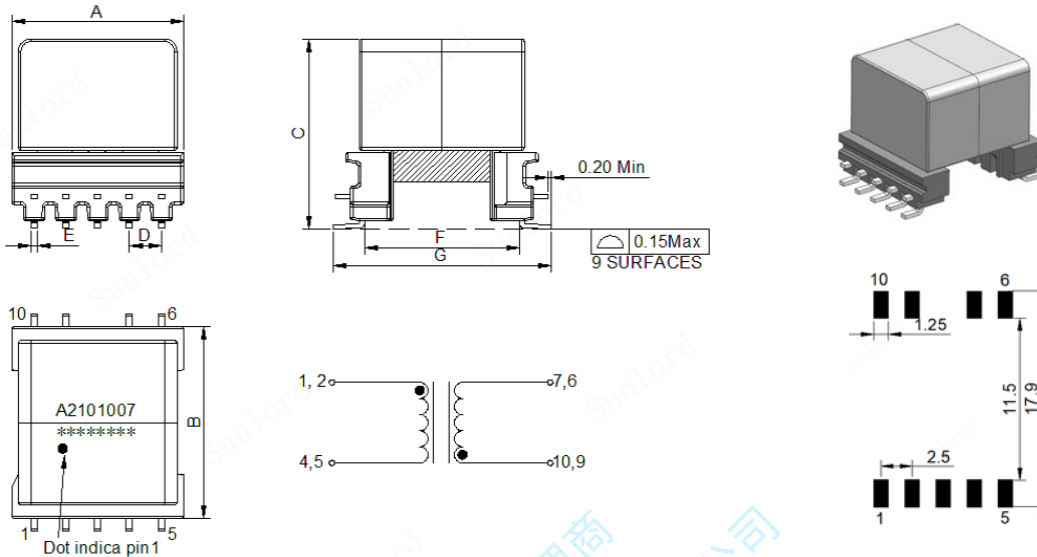
Unit: mm

A	B	C	D	E	F	G
12.5 Max.	12.0Max.	12.5 Max.	2.5±0.2	SQ0.7±0.1	8.0 Ref.	14.0 Max.

ATWPEP131515B Series

APPLICATIONS

- DC-DC converter



Recommended PCB pattern

Unit: mm

A	B	C	D	E	F	G
14.5 Max.	15.6 Max.	15.6 Max.	2.50±0.2	0.5±0.1	12.5 Ref.	17 ± 0.6

CUSTOMIZED PRODUCT PRESENTATION

We can customize winding transformer according to your requirements.

Remark:

- ※ The picture is for reference and the real product may be different.
- ※ Recommended storage conditions :10°C~30°C, 70%RH (Max.)
- ※ We can customize products according to your requirements. Please contact your local sales.