



# Wire Wound Chip Common Mode Choke –AMCW-B Series

Operating Temp. : -40°C~+150°C



## FEATURES

- Winding type realizes small size and low profile
- Suppression of common mode noise at high frequency
- Excellent solderability
- AEC-Q200 verified

## APPLICATIONS

- Common mode noise filtering for automotive CAN-BUS and signal line.

## PRODUCT IDENTIFICATION

① AMCW      ② 3225      ③ B      ④ -2      ⑤ -110      ⑥ I

|      |                   |                                |         |      |             |
|------|-------------------|--------------------------------|---------|------|-------------|
| Type |                   | External Dimensions (L×W) (mm) |         | Code |             |
| AMCW | Winding Type      | 3225 [1210]                    | 3.2×2.5 | B    | for CAN-BUS |
|      | Common Mode Choke | 4532 [1812]                    | 4.5×3.2 |      |             |

|                |               |
|----------------|---------------|
| Inductance(uH) |               |
| Example        | Nominal Value |
| 110            | 11            |
| 220            | 22            |
| 510            | 51            |
| 101            | 100           |

|                 |  |
|-----------------|--|
| Number of Lines |  |
| 2               |  |

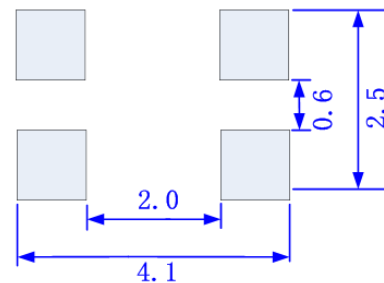
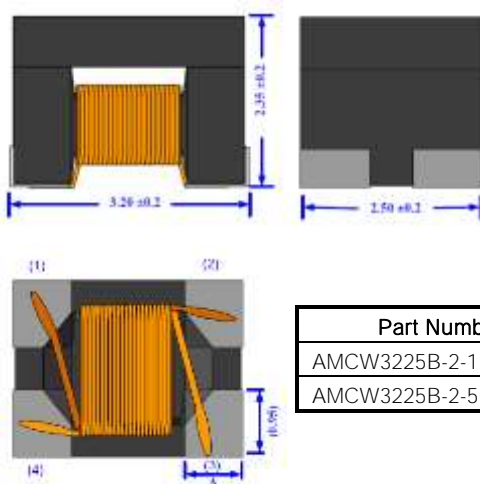
|         |             |
|---------|-------------|
| Packing |             |
| T       | Tape & Reel |

## SHAPE AND DIMENSIONS

AMCW3225B TYPE

Recommended Land Pattern

Unit:mm



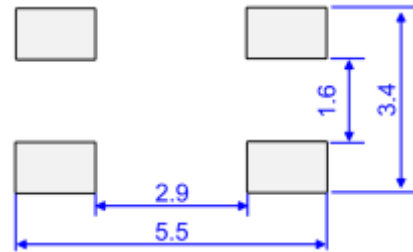
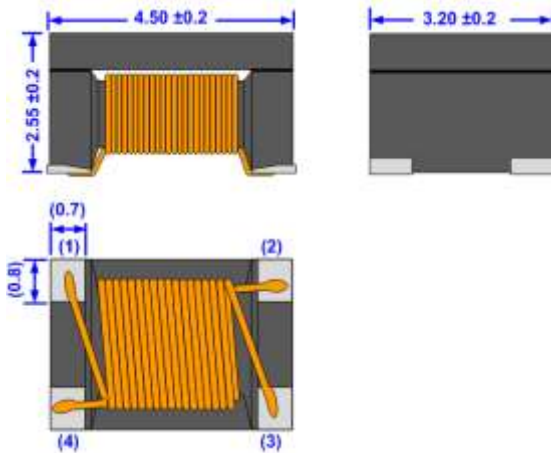
| Part Number           | A      |
|-----------------------|--------|
| AMCW3225B-2-110T/220T | 0.80mm |
| AMCW3225B-2-510T/101T | 0.70mm |

## SHAPE AND DIMENSIONS

### AMCW4532B TYPE

### Recommended Land Pattern

Unit: mm



## SPECIFICATIONS

### AMCW3225B TYPE

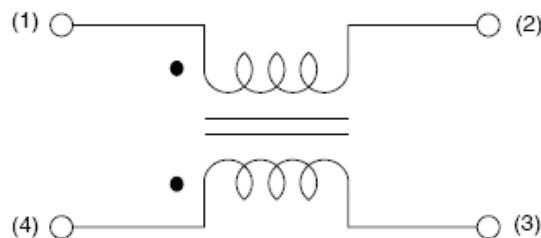
| Part Number      | Inductance        | DC Resistance | Rated Current  | Rated Voltage   | Insulation Resistance |
|------------------|-------------------|---------------|----------------|-----------------|-----------------------|
|                  | +50%/-30%         | Max.          | Max.           | Max.            | Min.                  |
| Units            | uH                | $\Omega$      | mA             | Volts           | M $\Omega$            |
| Symbol           | L                 | DCR           | I <sub>r</sub> | V <sub>DC</sub> | IR                    |
| AMCW3225B-2-110T | 11(@100KHz/0.1V)  | 0.3           | 400            | 80              | 10                    |
| AMCW3225B-2-220T | 22(@100KHz/0.1V)  | 0.5           | 300            | 80              | 10                    |
| AMCW3225B-2-510T | 51(@100KHz/0.1V)  | 1.5           | 200            | 80              | 10                    |
| AMCW3225B-2-101T | 100(@100KHz/0.1V) | 1.8           | 150            | 80              | 10                    |

### AMCW4532B TYPE

| Part Number      | Inductance         | DC Resistance | Rated Current  | Rated Voltage   | Insulation Resistance |
|------------------|--------------------|---------------|----------------|-----------------|-----------------------|
|                  | +50%/-30%          | Max.          | Max.           | Max.            | Min.                  |
| Units            | uH                 | $\Omega$      | mA             | Volts           | M $\Omega$            |
| Symbol           | L                  | DCR           | I <sub>r</sub> | V <sub>DC</sub> | IR                    |
| AMCW4532B-2-110T | 11(@ 100KHz/0.1V)  | 0.5           | 360            | 50              | 10                    |
| AMCW4532B-2-220T | 22(@ 100KHz/0.1V)  | 0.8           | 310            | 50              | 10                    |
| AMCW4532B-2-510T | 51(@ 1.0MHz/0.1V)  | 1.0           | 230            | 50              | 10                    |
| AMCW4532B-2-101T | 100(@ 1.0MHz/0.1V) | 2.0           | 200            | 50              | 10                    |

※: Products with other electrical characteristics can be provided upon customer's request. Please contact your local sales.

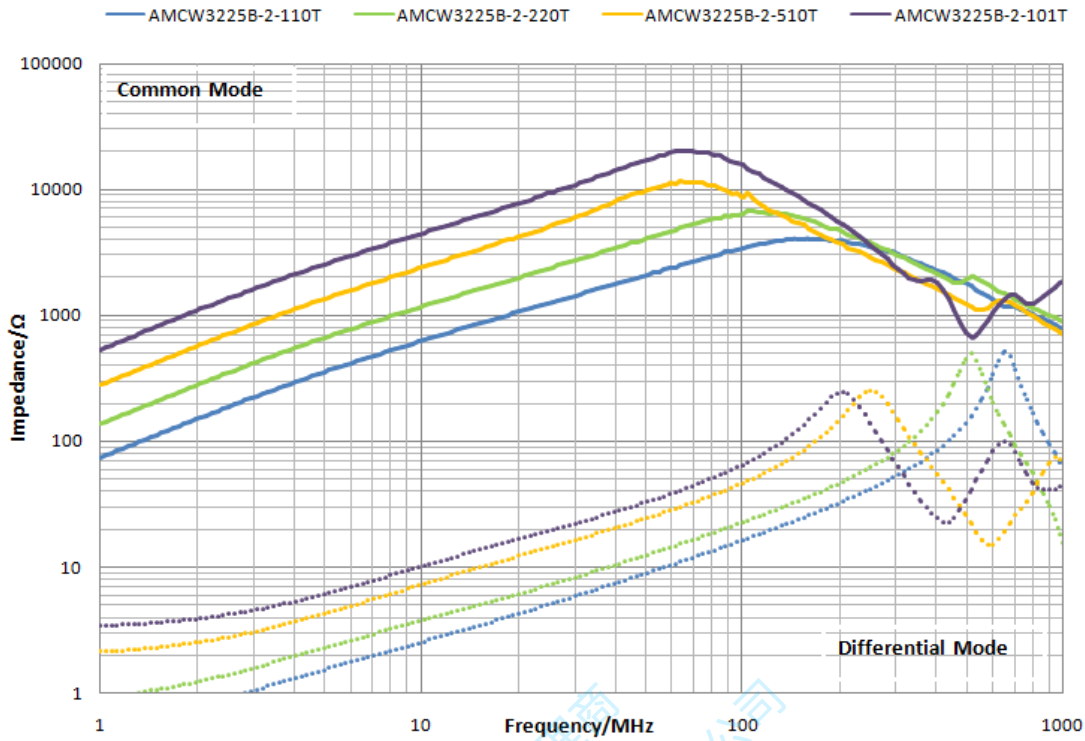
## EQUIVALENT CIRCUIT



# TYPICAL ELECTRICAL CHARACTERISTICS

AMCW3225B TYPE

Impedance vs. Frequency



AMCW4532B TYPE

Impedance vs. Frequency

